

STYLE No. : L209GEA-28/410A

ACTUATOR (PP)

CHAPLET (PP)

GASKET (PE)

CLOSURE (PP)

STEM (PP)

PISTON (PE)

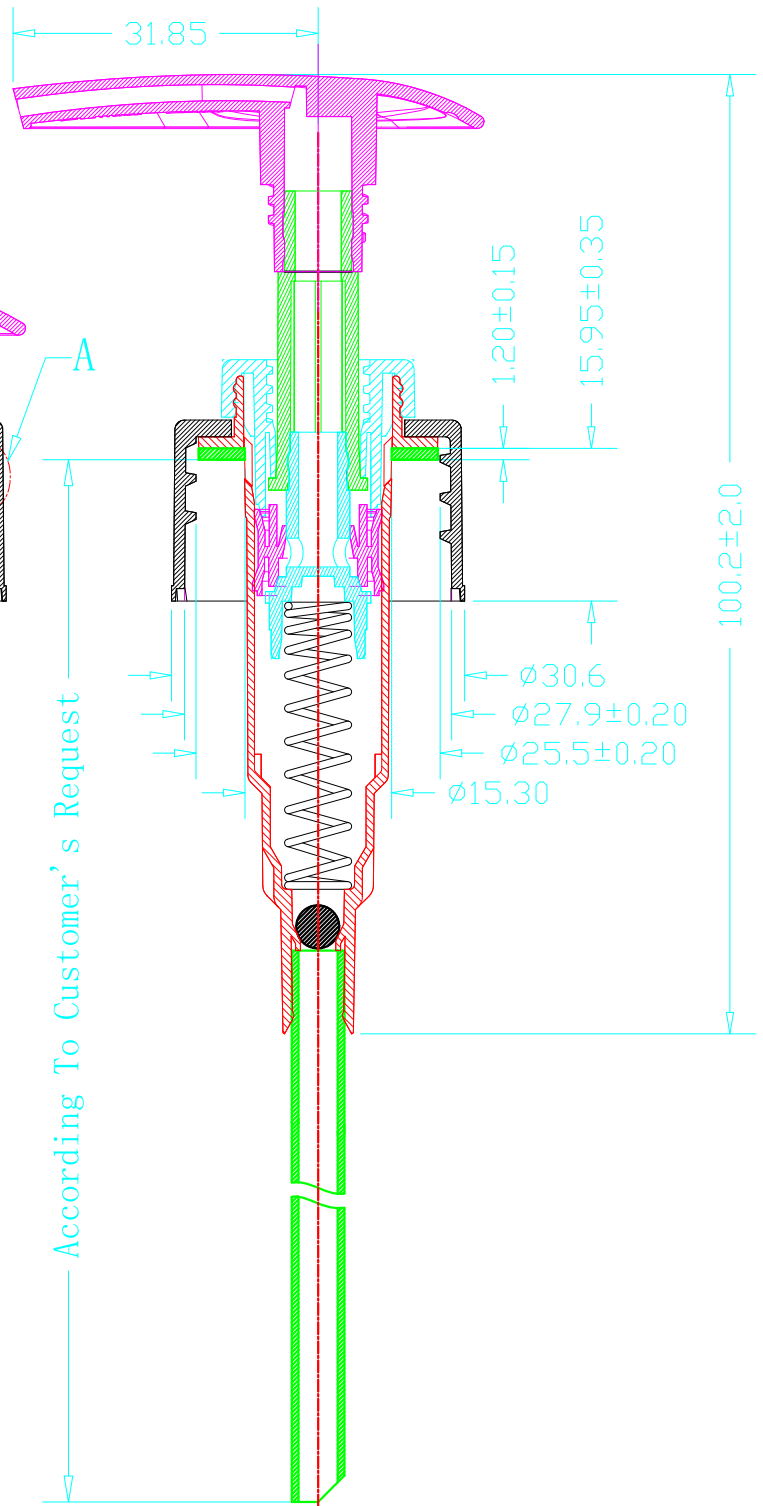
SUB-STEM (PE)

SPRING (STN STL)

HOUSING (PP)

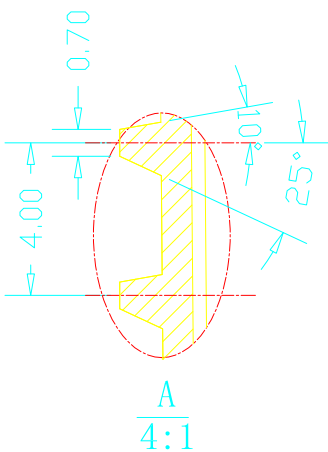
BALL (GLASS)

DIP TUBE (PE)



According To Customer's Request

Unmarked Tolerance ±0.5mm



				All Rights Reserved		
				Material	<h1>Assembly Drawing</h1>	
Item		L209GEA-28/410A		Version		A0
Dwg No.		L209GEA-28/410A-A01		Quantity		
ERP No.				Plastic		
Drawing		z:\		Cav		
Design		ZENG QI KUN 20200417		Unit	mm	
Audit		MO HENG JIN 20200417		Rate	1:1	
Approval				Visual angle		
Marker	Before modification	After modification	Date			
				Total 1 page(s) The 1st page		

**CLC 联昌**